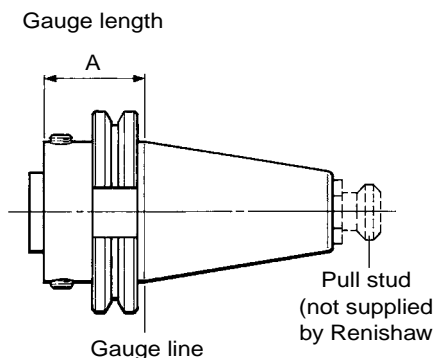


Taper shanks for machine tool probes

Shanks for OMP60 / RMP60 / RMP600 (when not used in shank switch configuration), MP11, MP12, MP700 and MP700E probes

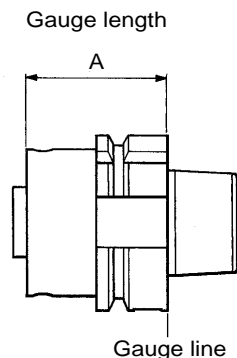
- Please quote the part number when ordering equipment.
- Shanks are supplied in a natural finish.
- Dimensions mm (in).
- If you cannot find the shank you require, please contact your local Renishaw company for further information.

Taper shanks



Shank type	Part number	Taper	Gauge length A
DIN 69871A	M-2045-0064	30	35.25 (1.388)
	M-2045-0065	40	35.25 (1.388)
	M-2045-0067	50	35.25 (1.388)
BT - 1982	M-2045-0077	30	27.50 (1.083)
	M-2045-0027	40	32.00 (1.260)
	M-2045-0073	50	38.00 (1.496)
ANSI CAT B5.50-1985 (imperial pull stud thread)	M-2045-0137	40	35.25 (1.388)
	M-2045-0139	50	35.25 (1.388)
ANSI CAT B5.50-1985 (metric pull stud thread)	M-2045-0208	40	40.00 (1.575)
	M-2045-0238	50	35.25 (1.388)
DIN 2080 (manual tool change)	M-2045-0132	30	20.00 (0.787)
	M-2045-0024	40	13.60 (0.535)
	M-2045-0026	50	15.20 (0.598)

HSK shanks



Shank type	Part number	HSK	Gauge length A
DIN 69893 HSK form A	M-2045-0232	A32	46.00 (1.811)
	M-2045-0186	A40	47.00 (1.850)
	M-2045-0187	A50	50.00 (1.969)
	M-2045-0188	A63	53.00 (2.087)
	M-2045-0189	A80	50.00 (1.969)
	M-2045-0190	A100	61.00 (2.402)
DIN 69893 HSK form E	M-2045-0204	E40	38.00 (1.469)
DIN 69893 HSK form F	M-2045-0287	F63	53.00 (2.087)
SANDVIK CAPTO	M-2045-0346	C5	32.00 (1.260)
	M-2045-0310	C6	42.00 (1.654)
	M-2045-0311	C8	50.00 (1.969)
KENNAMETAL KM	M-2045-0335	KM63	25.60 (1.008)
	M-2045-0344	KM63Y	30.00 (1.181)

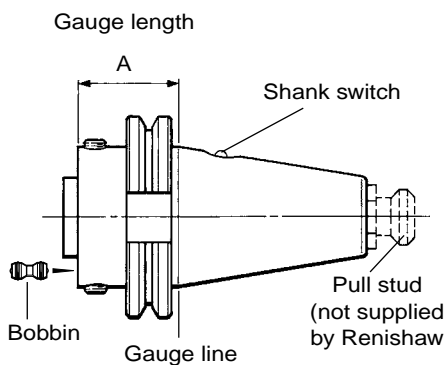
Data sheet

Taper shanks for machine tool probes

Shanks for OMP60 / RMP60 / RMP600 probes (when used in shank switch configuration)

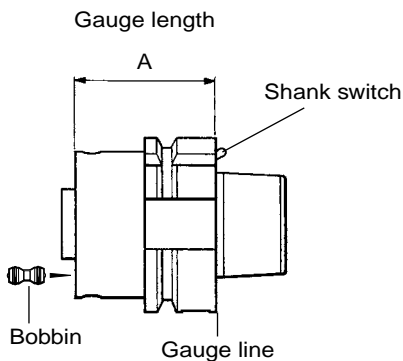
- Please quote the part number when ordering equipment.
- Shanks are supplied in a natural finish.
- Bobbin supplied with shank.
- Dimensions mm (in).
- If you cannot find the shank you require, please contact your local Renishaw company for further information.

Taper shanks



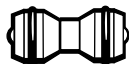
Shank type	Part number	Taper	Gauge length A
DIN 69871A	A-4038-0231	30	65.00 (2.559)
	A-4038-0053	40	35.25 (1.388)
	A-4038-0232	50	41.00 (1.614)
BT - 1982	A-4038-0233	30	65.00 (2.559)
	A-4038-0234	40	35.25 (1.388)
	A-4038-0235	50	41.00 (1.614)
ANSI CAT B5.50-1985 (imperial pull stud thread)	A-4038-0236	30	65.00 (2.559)
	A-4038-0237	40	35.25 (1.388)
	A-4038-0238	50	35.25 (1.388)
ANSI CAT B5.50-1985 (metric pull stud thread)	A-4038-0239	40	35.25 (1.388)
	A-4038-0240	50	35.25 (1.388)

HSK shanks



Shank type	Part number	HSK	Gauge length A
DIN 69893 HSK form A	A-4038-0070	A40	72.50 (2.854)
	A-4038-0050	A50	62.00 (2.441)
	A-4038-0063	A63	60.00 (2.362)
	A-4038-0241	A80	42.50 (1.673)
	A-4038-0242	A100	61.00 (2.402)
DIN 69893 HSK form E	A-4038-0243	E40	65.00 (2.559)
	A-4038-0244	E50	62.00 (2.441)
	A-4038-0245	E63	60.00 (2.362)

Bobbin for shank switch configuration



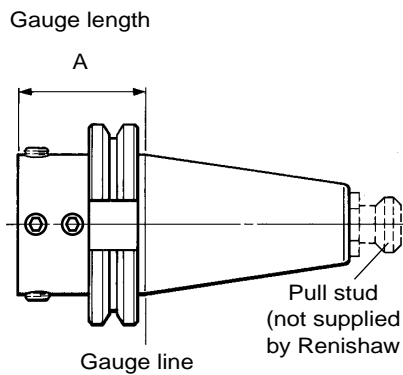
Part number

A-4038-0303

Shanks for OMP40 / OMP400 probes

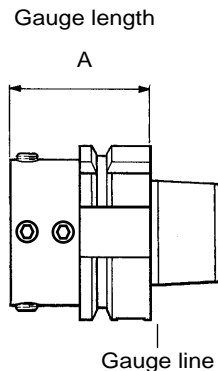
- Please quote the part number when ordering equipment.
- Shanks are supplied in a natural finish.
- Dimensions mm (in).
- If you cannot find the shank you require, please contact your local Renishaw company for further information.

Taper shanks



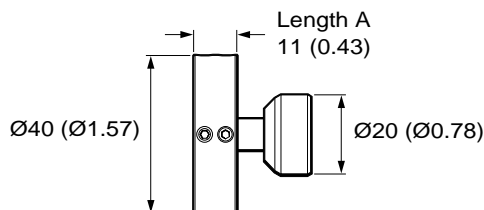
Shank type	Part number	Taper	Gauge length A
DIN 69871A	M-4071-0048	30	35.25 (1.388)
	M-4071-0069	40	41.60 (1.638)
	M-4071-0070	50	50.00 (1.969)
BT - 1982	M-4071-0049	30	27.00 (1.063)
	M-4071-0057	40	32.00 (1.260)
	M-4071-0071	50	51.00 (2.008)
ANSI CAT B5.50-1985 (imperial pull stud thread)	M-4071-0050	30	35.30 (1.390)
	M-4071-0058	40	35.30 (1.390)
	M-4071-0072	50	35.30 (1.390)
ANSI CAT B5.50-1985 (metric pull stud thread)	M-4071-0073	40	35.00 (1.378)
	M-4071-0064	50	35.00 (1.378)

HSK shanks



Shank type	Part number	HSK	Gauge length A
DIN 69893 HSK form A	M-4071-0045	A32	35.00 (1.378)
	M-4071-0046	A40	35.25 (1.388)
	M-4071-0047	A50	42.25 (1.663)
	M-4071-0129	A63	42.00 (1.654)
	M-4071-0075	A80	42.00 (1.654)
	M-4071-0076	A100	45.00 (1.772)
DIN 69893 HSK form C	M-4071-0085	C40	35.25 (1.388)
DIN 69893 HSK form E	M-4071-0044	E25	23.00 (0.906)
	M-4071-0055	E32	35.00 (1.378)
	M-4071-0054	E40	35.25 (1.388)
	M-4071-0077	E50	42.00 (1.654)
	M-4071-0078	E63	42.00 (1.654)
DIN 69893 HSK form F	M-4071-0079	F63	42.00 (1.654)
SANDVIK CAPTO	M-4071-0066	C5	45.00 (1.772)
	M-4071-0067	C6	45.00 (1.772)
KENNAMETAL KM	M-4071-0065	KM63	30.00 (1.181)
	M-4071-0074	KM63Y	30.00 (1.181)

Shank adaptor to fit OMP40 on to MP11, MP12, MP700 and MP700E type shanks



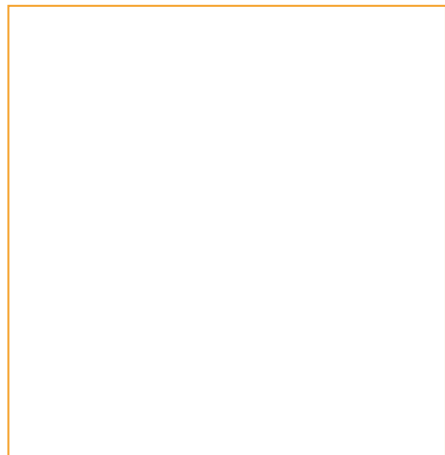
Part number	Length A
A-4071-0031	11 (0.43)

Renishaw plc
New Mills, Wotton-under-Edge,
Gloucestershire, GL12 8JR
United Kingdom

T +44 (0)1453 524524
F +44 (0)1453 524901
E uk@renishaw.com
www.renishaw.com

RENISHAW 
apply innovation™

For worldwide contact details, please visit our
main website at www.renishaw.com/contact



H - 2000 - 2011 - 10